

bellessi Tile Trays



—
A self draining
structural shower
system *with*
built-in fall



Available at
BUNNINGS
warehouse

Take This Brochure to the Special Orders Desk to place an order

The Bellessi Tile Tray, manufactured from Torbex©, is a self draining shower system with built-in fall. With watermark certification meeting Australian standards on all outlets, the Bellessi Tile Tray system offers a high quality package for quick and easy installation. It can also be installed directly onto joists.

What *is* the Bellessi Tile Tray?

BELLESSI IS EXCLUSIVE TO BUNNINGS

PHONE 1800 45 47 44
ENQUIRIES ENQUIRIES@BELLESSI.COM.AU
ORDERS ORDERS@BELLESSI.COM.AU
ONLINE WWW.BELLESSI.COM.AU

MANUFACTURED IN AUSTRALIA BY



37 Hosie Street, Bayswater VIC AUS 3153
Telephone: (613) 8720 7600
Facsimile: (613) 9729 5197
Email: cme@composite.com.au



**The Bellessi Tile Tray is the only Australian made,
structural, waterproof tray on the market!**

Not only is it ideal for tight spaces due to its
pre-formed design, but it's also a great feature
in more elaborate bathroom designs.

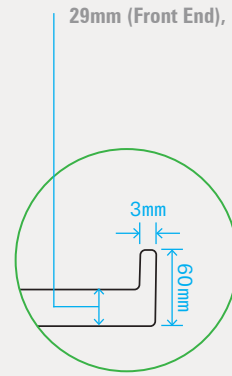
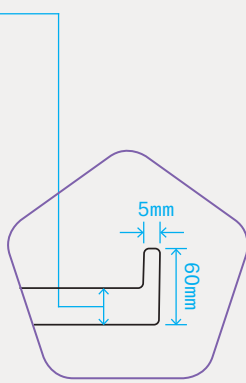
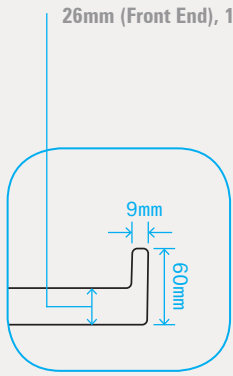


bellessi

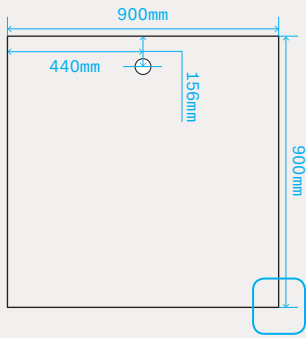
Tile Tray Range Dimensions

NOTE:

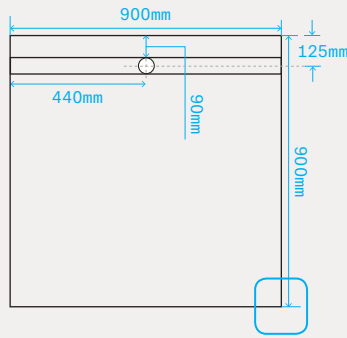
- All Perimeter measurements from **Outside** edge to Outside edge
- All Internal Measurements from **Inside** Edge



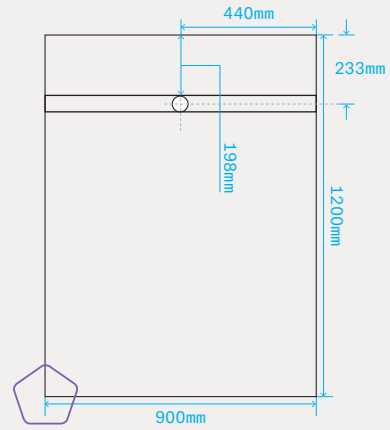
900mm Tile Tray Outlet



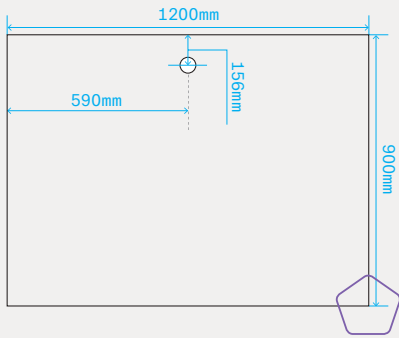
900mm Tile Tray Grate



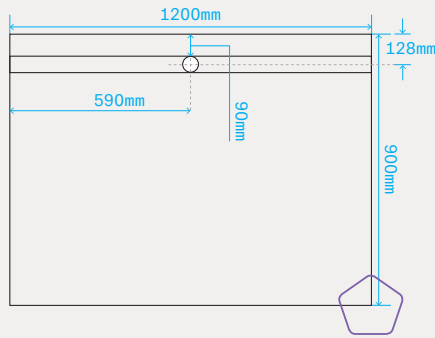
900mm Tile Tray Grate



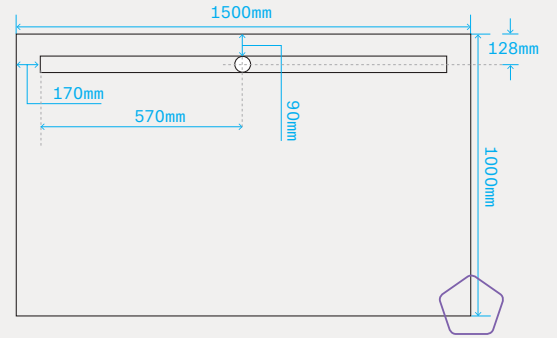
1200mm Tile Tray Outlet



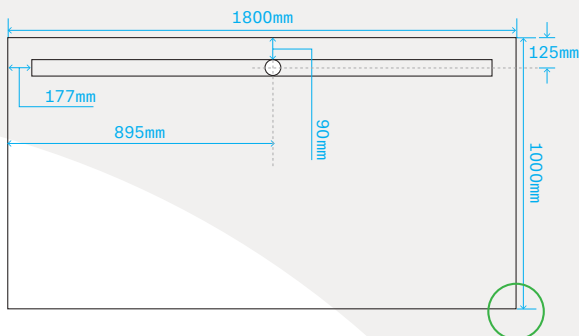
1200mm Tile Tray Grate



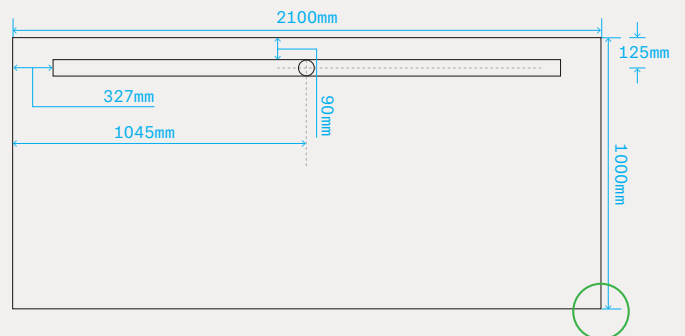
1500mm Tile Tray Grate



1800mm Tile Tray Grate



2100mm Tile Tray Grate



Bellessi Tile Trays are DIY *Easy!*

Your Bellessi Tile Tray can be installed directly onto joists.

It can also be installed onto particleboard or hardwood flooring and even concrete slabs.

With its structural properties, built in fall and high weight rating it will save you time and money while giving you peace of mind for years to come.

Easily trim the lip around the perimeter of the tray to suit your tile height for a seamless walk through tiled base.

Bellessi Tile Trays are perfect for any bathroom whether you are doing a renovation or building a new home.

Please read the installation instructions carefully before installing your tray.

It is the responsibility of the installer to adhere to local building codes when installing the Bellessi tile tray.

Adhere the tile tray in position

1



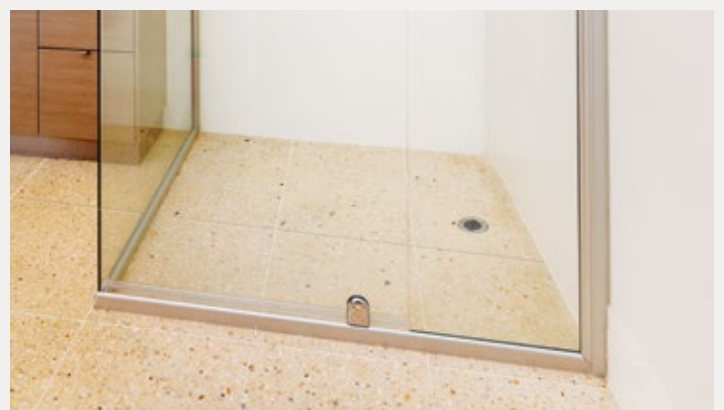
Lay your tiles over the tray

2



Your installation is complete!

3



The Range

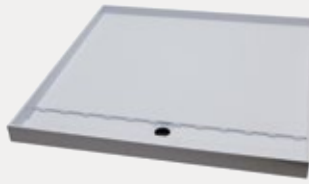
Trays, Grates & Drains

Structural Tile Tray Options

1



2



3



4



5



6



7



8



9



1

Tile Tray Rear Outlet Torbex

2

Tile Tray Rear Grate Torbex

3

Tile Tray Rear Grate Torbex (Large Format)

4

Round Drain

5

Square Drain

6

Tile Insert

7

Punched Style Grate

8

Wire Style Grate

9

Tile Insert Grate

The Tile Tray Range

Product	Width	Depth	I/N	Code
Tile Tray Rear Outlet Torbex	900mm	900mm	4890679	B4700
Tile Tray Rear Outlet Torbex	1200mm	900mm	4890680	B4702
Tile Tray Rear Grate Torbex	900mm	900mm	4890681	B4701
Tile Tray Rear Grate Torbex	900mm	1200mm	4890682	B4706
Tile Tray Rear Grate Torbex	1200mm	900mm	4890687	B4703
Tile Tray Rear Grate Torbex	1500mm	1000mm	4890684	B4707
Tile Tray Rear Grate Torbex	1800mm	1000mm	4890685	B4708
Tile Tray Rear Grate Torbex	2100mm	1000mm	4890686	B4709

The Drains Range

Product	I/N	Code
Round Drain	4890688	B1740
Square Drain	4890689	B1730
Tile insert Drain	4890690	B1750

The Grates Range

Product	Suits	I/N	Code
860mm Channel Grate SS, Punched	B4701	4890692	B1780
860mm Channel Grate SS, Wire style	B4701	4890693	B4716
840mm Channel Grate SS, Tile Insert	B4701	4890694	B1756
840mm Channel Grate SS, Punched	B4706	4890707	B1781
840mm Channel Grate SS, Wire style	B4706	4890708	B1783
840mm Channel Grate SS, Tile Insert	B4706	4890694	B1756
1160mm Channel Grate SS, Punched	B4703	4890695	B1785
1160mm Channel Grate SS, Wire style	B4703	4890696	B4717
1140mm Channel Grate SS, Tile Insert	B4703	4890697	B1759
1140mm Channel Grate SS, Punched	B4707	4890698	B1782
1140mm Channel Grate SS, Wire style	B4707	4890699	B1784
1140mm Channel Grate SS, Tile Insert	B4707	4890697	B1759
1430mm Channel Grate SS, Punched	B4708	4890700	B1786
1430mm Channel Grate SS, Wire style	B4708	4890701	B4735
1430mm Channel Grate SS, Tile Insert	B4708	4890702	B1751

The Specifications

Key Features of the Bellessi Tile Trays

Structural & self supporting

Can be installed directly onto joists

Manufactured in Australia

Does not require waterproofing

Built-in fall for drainage

Waterproof tray system that wont leak

Multiple waste & grate options available

10 Year guarantee

Watermark certification

Manufactured using Torbex©

Tray flange easy to trim down
to suit all tiling heights

Sanitary grade suitable for all wet areas

BROCHURE # 9931208

[]

[]

bellessi

